



Rope Pull Up

Install Instructions

NOTES: Prior to unpacking, please check for any obvious damage caused by the shipping company, and do not accept shipment if you see any; or if you see damage and it doesn't appear to be significant, make a note of the damage on the driver's receipt and on yours, and have the driver sign both, then take multiple photographs. If everything looks okay on the outside of the packages, but then you find damage when you begin pulling the package apart, make sure you take plenty of photos of the damage, and take appropriate steps to file a claim, if needed.

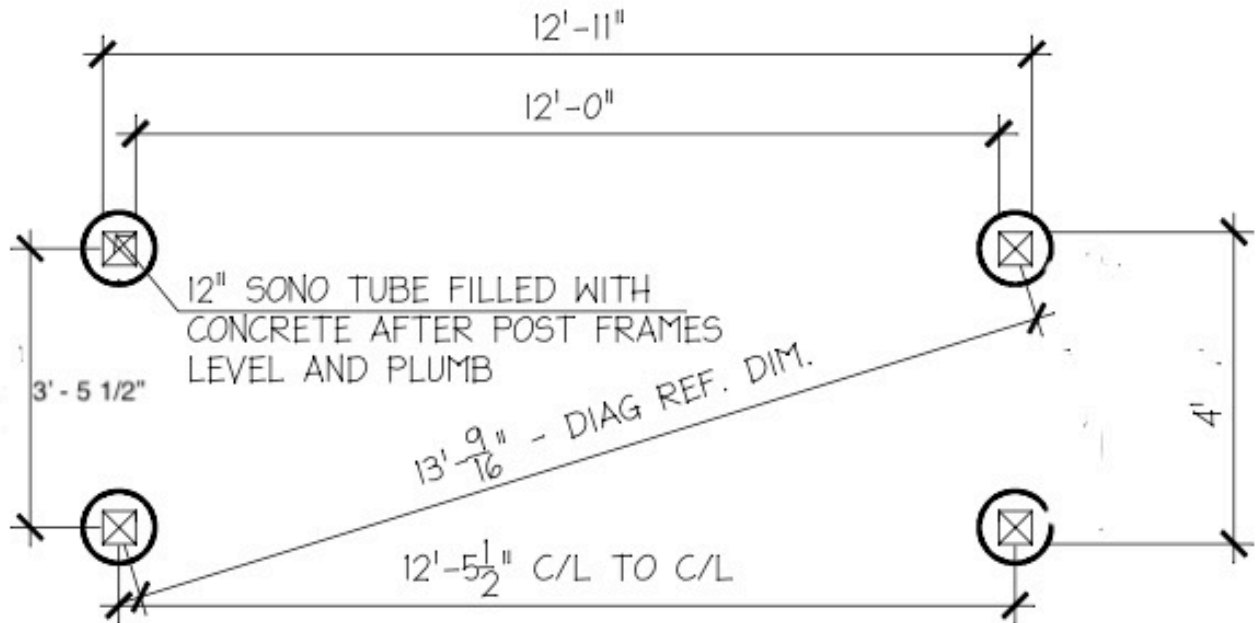
*Please call **Digsafe** and check for any underground utilities before digging anywhere.

Materials needed

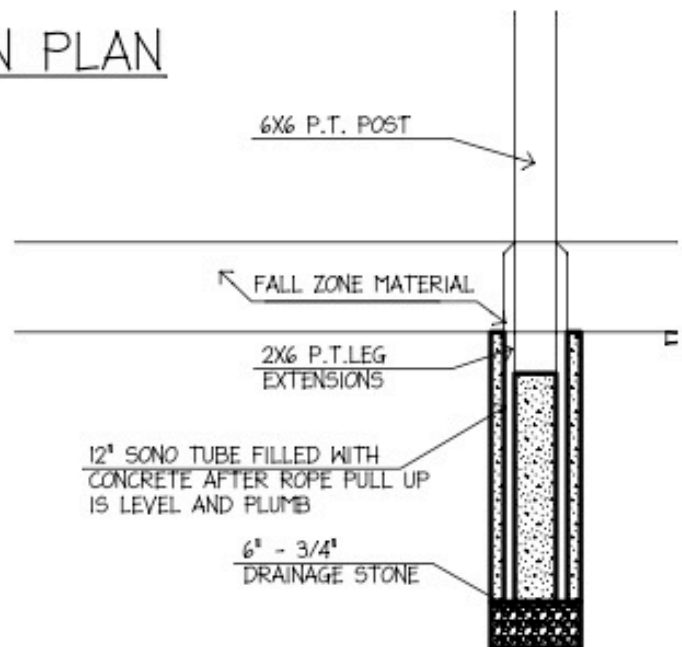
Measuring tape, level, post hole digger, shovel, screw gun with proper T bits, four (4) 12" x depth of footings (48" typ) sonotubes, minimum of 16 1-1/2" sheet rock screws for the temporary bracing (not provided), minimum 8 foot tall ladder, water for concrete, and bags of premixed concrete (not included), 8 pieces of 1x3x8' strapping (cut 1 foot off each end, and cut points in the ends of each of these short stakes). See #4 below, and if needed, get more strapping for adjusting the height of the posts. Concrete amounts can be easily calculated at <http://www.quikrete.com/Calculator/Main.asp>. Amount required depends on how deep you decide to dig the hole.

Instructions

1. Remove items from shipping containers (pallet, boxes). Move all parts to desired area installation area.
2. Mark ground per foundation plan provided for post locations. Excavate holes and place construction tubes in place per attached foundation plan. We recommend that you place 6" - 3/4" drainage stone at the bottom of all footings. If obstacles are encountered post must be adjusted by removing length from the bottom accordingly. Leaving a minimum of 24" of post in the ground. All concrete must be below minimum of 9" fall zone material.
3. Assemble pieces: Bolt 4 @ 6"x6" posts together as labeled (2-2x6 leg extensions per 6x6 post). Over the years, the configurations have changed, so just make sure that you are putting together full-length posts. With hardware provided, install /screw together the short, 4 foot beam supports at top of posts as marked on posts.
4. Stand leg assemblies upright in the previously installed construction tubes. Check to be sure all 4 legs are plumb and are 12'-11" apart at the top and bottom, and make sure they are all at the same height. One way to check the height is make a mark at chest level measuring down the same distance from the top of each post, then overlap 2 of the 8 foot long pieces of strapping, edge side up on a very flat surface, and screw together to make a long strap. Use a single sheet rock screw to fasten the strapping at the measurement points you just made, and then use your level on top of the strapping to adjust the height of the post assemblies. Now grab the 7' pieces of strapping, the 1' stakes, and the level to plumb and hold the posts in perfectly vertical positions. Use two braces on each post on 2 adjacent sides. You must also make sure that the two post assemblies are parallel with each other!!



FOUNDATION PLAN
NTS



PIER DETAIL
1/2" = 1'-0"



Natural Playgrounds Co.
85 Warren Street
Concord, NH 03301
(888) 290-8405
www.naturalplaygrounds.com

ITEM:
10' HIGH ROPE PULL UP

DRAWN BY: JHM

SCALE: AS NOTED DATE: 8/26/13

SHEET TITLE:
D-5

5. Once the posts are all plumbed up, at the correct distance apart, parallel with each other, and braced, install the main support beam by placing beam on supports as labeled.
6. Mix concrete and fill holes around the posts using a piece of rebar or similar in an up-and-down position to remove air pockets from wet concrete. The top of all concrete must be under the finished surface of the fall zone material.
7. Install rope anchor with 4 @ 1/2" rebar directly below center of beam. Attach rope to quick link. Rope must be tight enough so that it cannot be made into a loop.
8. After concrete has cured. Install proper fall zone material per all applicable codes (typical 6'-0" from all surface contact points
9. Go back through the parts you assembled and make sure everything is tightly fastened. Periodically check connections.
10. Rope climb has been sealed with wood sealer. To maintain the suppleness of the wood and keep it from drying out, it should be sprayed once or twice a year with child friendly wood preservative such as that found in our store.